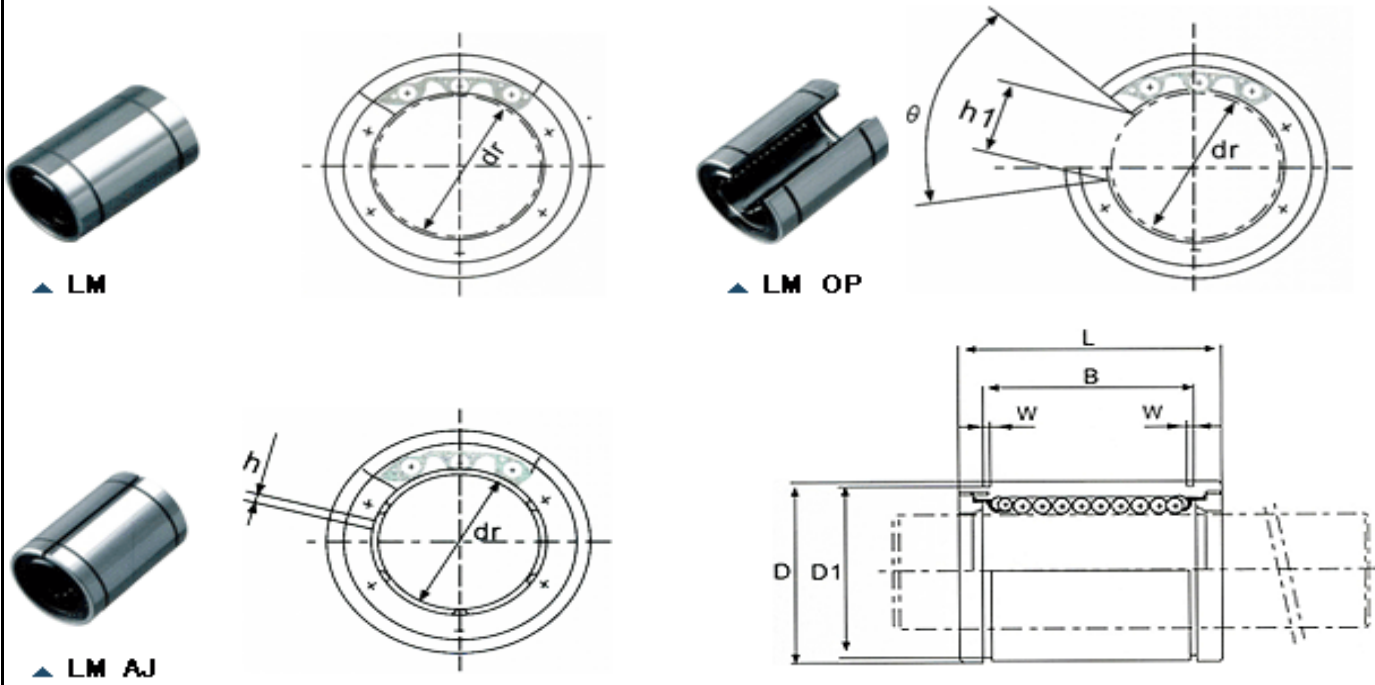


產品規格
Products

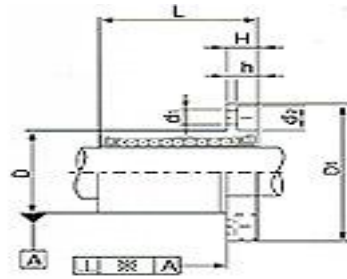
直線滾珠軸承 LM/ LM OP/ LM AJ 系列



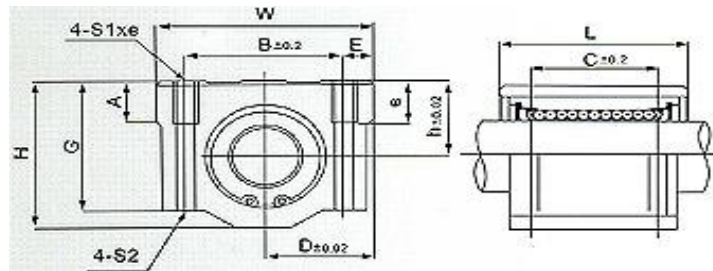
Slide Unit Series



LM F / K / H Series (SM F / K / T Series)



SC



SC □ L



直線滾珠軸承 LM/ LM OP/ LM AJ 系列規格表

Seal type	Ball Circuit	Open Type	Ball Circuit	Ad Type	Ball Circuit	Weight (g)	dr (mm)	D (mm)	L (mm)	B (mm)	W (mm)	D1 (mm)	h (mm)	h1 (mm)	Θ	Basic Load	
																C	C0
LM 4	4	-	-	-	-	2	4	8	12	-	-	-	-	-	-	88	127
LM 5UU	4	-	-	LM 5UUAJ	4	4	5	10	15	10.2	1.1	9.6	-	-	-	167	206
LM 6UU	4	-	-	LM 6UUAJ	4	8.5	6	12	19	13.5	1.1	11.5	-	-	-	206	265
LM 8UU	4	-	-	LM 8UUAJ	4	17	8	15	24	17.5	1.1	14.3	-	-	-	274	392
LM 10UU	4	-	-	LM 10UUAJ	4	36	10	19	29	22	1.3	18	-	6.8	80°	372	549
LM 12UU	4	LM 12UU-OP	3	LM 12UUAJ	4	42	12	21	3	23	1.3	20	1.5	8	80°	510	784
LM 13UU	4	LM 13UU-OP	3	LM 13UUAJ	4	49	13	23	32	23	1.3	22	1.5	9	80°	510	784
LM 16UU	5	LM 16UU-OP	4	LM 16UUAJ	5	76	16	28	37	26.5	1.6	27	1.5	11	80°	774	1180
LM 20UU	5	LM 20UU-OP	4	LM 20UUAJ	5	100	20	32	42	30.5	1.6	30.5	1.5	11	60°	882	1370
LM 25UU	6	LM 25UU-OP	5	LM 25UUAJ	6	240	25	40	59	41	1.85	38	2	12	50°	980	1570
LM 30UU	6	LM 30UU-OP	5	LM 30UUAJ	6	270	30	45	64	44.5	1.85	43	2.5	15	50°	1570	2740
LM 35UU	6	LM 35UU-OP	5	LM 35UUAJ	6	425	35	52	70	49.5	2.1	49	2.5	17	50°	1670	3140
LM 40UU	6	LM 40UU-OP	5	LM 40UUAJ	6	654	40	60	80	60.5	2.1	57	3	20	50°	2160	4020
LM 50UU	6	LM 50UU-OP	5	LM 50UUAJ	6	1700	50	80	100	74	2.6	76.5	3	25	50°	3820	7940
LM 60UU	6	LM 60UU-OP	5	LM 60UUAJ	6	2000	60	90	110	85	3.15	86.5	3	30	50°	4700	10000

直線滾珠軸承 LM L 加長型系列規格表

Seal type	Ball Circuit	Weight (g)	dr (mm)	Tolerance (μm)	D (mm)	Tolerance (μm)	L (mm)	Tolerance (μm)	B (mm)	Tolerance (μm)	W (mm)	D1 (mm)	Basic Load			
													C	C0		
LM 6LUU	4	16	6	0/-10	12	0/-13	35	0/-300	27	0/-400	1.1	11.5	88	127		
LM 8LUU	4	31	8		15		45		35		1.1	14.3	167	206		
LM 10LUU	4	62	10		19		55		44		1.3	18	206	265		
LM 12LUU	4	80	12		21	57	46		1.3		20	274	392			
LM 13LUU	4	90	13		23	61	46		1.3		22	372	549			
LM 16LUU	5	145	16		28	70	53		1.6		27	510	784			
LM 20LUU	5	180	20	0/-12	32	0/-19	80	0/-400	61	0/-500	16	30.5	510	784		
LM 25LUU	6	440	25		40		112		82		1.85	38	774	1180		
LM 30LUU	6	480	30		45		123		89		1.85	43	882	1370		
LM 35LUU	6	795	35	0/-15	52	0/-22	135		0/-400		99	0/-500	2.1	49	980	1570
LM 40LUU	6	1170	40		60		151				121		2.1	57	1570	2740
LM 50LUU	6	3100	50		80		192				148		2.6	76.5	1670	3140
LM 60LUU	6	3500	60		0/-20		90	0/-25		209	170		3.15	86.5	2160	4020

直線滾珠軸承 LME/ LME OP/ LME AJ 系列規格表

Seal type	Ball Circuit	Open Type	Ball Circuit	Ad Type	Ball Circuit	Weight (g)	dr (mm)	D (mm)	L (mm)	B (mm)	W (mm)	D1 (mm)	h (mm)	h1 (mm)	Θ	Basic Load	
																C	C0
LM E5UU	4	-	-	LM E5UUAJ	4	11	5	12	22	14.5	1.1	11.5	-	-	-	206	265
LM E8UU	4	-	-	LM E8UUAJ	4	22	8	16	25	16.5	1.1	15.2	-	-	-	265	402
LM E12UU	4	LM E12UU-OP	3	LM E12UUAJ	4	45	12	22	32	22	1.3	21	1.5	7.5	78°	510	784
LM E16UU	5	LM E16UU-OP	4	LM E16UUAJ	5	60	16	26	36	24.9	1.3	24.9	1.5	10	78°	578	892
LM E20UU	5	LM E20UU-OP	4	LM E20UUAJ	5	102	20	32	45	31.5	1.6	30.3	2	10	60°	862	1370
LM E25UU	6	LM E25UU-OP	5	LM E25UUAJ	6	235	25	40	58	44.1	1.85	37.5	2	12.5	60°	980	1570
LM E30UU	6	LM E30UU-OP	5	LM E30UUAJ	6	360	30	47	68	52.1	1.85	44.5	2	12.5	50°	1570	2740
LM E40UU	6	LM E40UU-OP	5	LM E40UUAJ	6	770	40	62	80	60.6	2.15	59	3	16.8	50°	2160	4020
LM E50UU	6	LM E50UU-OP	5	LM E50UUAJ	6	1250	50	75	100	77.6	2.65	72	3	21	50°	3820	7940
LM E60UU	6	LM E60UU-OP	5	LM E60UUAJ	6	2220	60	90	125	101.7	3.15	86.5	3	27.2	50°	7100	9800

直線滾珠軸承 LMB 英制系列規格表

Seal type	Ball Circuit	Open Type	Ball Circuit	Ad Type	Ball Circuit	Weight (g)	dr (inch)	D (inch)	L (inch)	B (inch)	W (inch)	D1 (inch)	h (inch)	h1 (inch)	Θ	Basic Load	
																C	C0
LM B4UU	3	-	-	-	3	9.5	1/4"	1/2"	3/4"	0.511"	0.039"	0.4687"	0.04"	-	-	206	265
LM B6UU	4	-	-	-	4	15	3/8"	5/8"	7/8"	0.6385"	0.039"	0.588"	0.04"	-	-	225	314
LM B8UU	4	LM B08-OP	3	LM B08AJ	4	42	1/2"	7/8"	1-1/4"	0.9625"	0.0459"	0.8209"	0.06"	0.34"	80°	510	784
LM B10UU	4	LM B10-OP	3	LM B10AJ	4	85	5/8"	1-1/8"	1-1/2"	1.1069"	0.0559"	1.059"	0.06"	0.375"	80°	774	1180
LM B12UU	5	LM B12-OP	4	LM B12AJ	5	104	3/4"	1-1/4"	1-5/8"	1.1657"	0.0559"	1.176"	0.06"	0.4375"	60°	862	1370
LM B16UU	5	LM B16-OP	4	LM B16AJ	5	220	1"	1-9/16"	2-1/4"	1.7547"	0.0679"	1.4687"	0.06"	0.5625"	50°	980	1570
LM B20UU	6	LM B20-OP	5	LM B20AJ	6	465	1-1/4"	2"	2-5/8"	2.0047"	0.0679"	1.8859"	0.1"	0.625"	50°	1570	2740
LM B24UU	6	LM B24-OP	5	LM B24AJ	6	720	1-1/2"	2-3/8"	3"	2.4118"	0.0859"	2.2389"	0.12"	0.75"	50°	2180	4020
LM B32UU	6	LM B32-OP	5	LM B32AJ	6	1310	2"	3"	4"	3.1917"	0.1029"	2.8379"	0.12"	1"	50°	3820	7940